

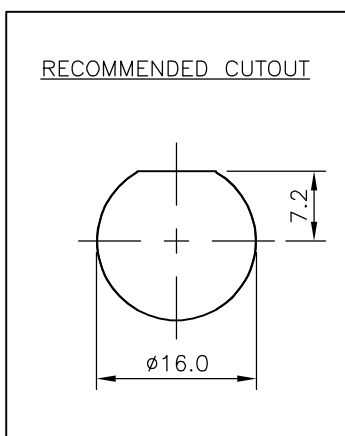
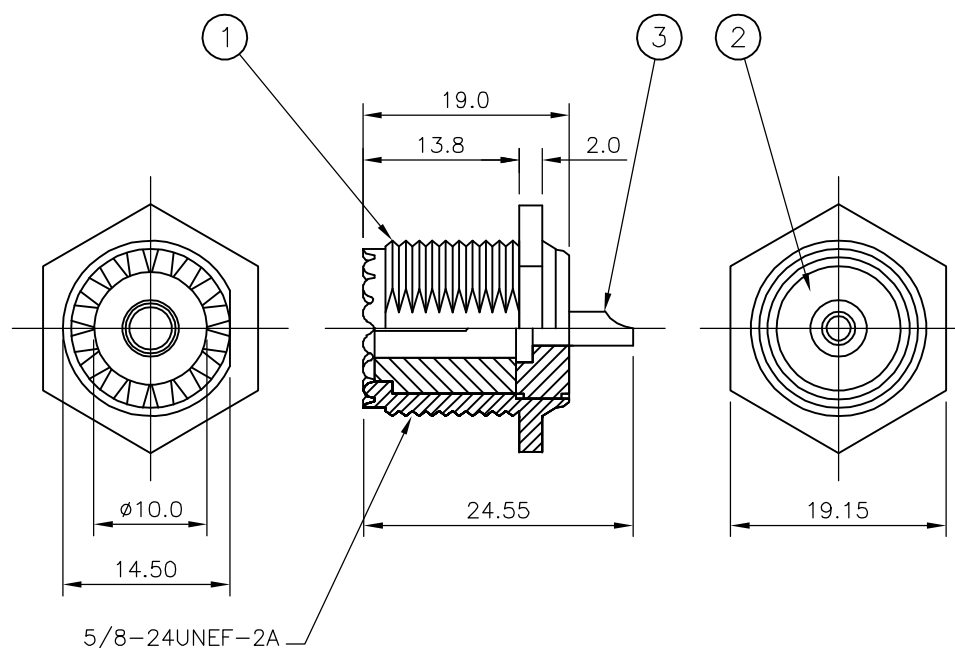
THIS DRAWING IS UNPUBLISHED. RELEASED FOR PUBLICATION JAN ,2007.

© COPYRIGHT 2007 BY TYCO ELECTRONICS CORPORATION. ALL RIGHTS RESERVED.

LOC	DIST	REVISIONS					
E	B	P	LTR	DESCRIPTION	DATE	DWN	APVD
		A		FIRST ISSUE	02JAN07	JMS	FWK

NOTES

- 1 SINGLE PACK IN ACCORDANCE WITH AMP SPEC 107-3275
- 2 100 TRAY PACK IN ACCORDANCE WITH AMP SPEC 107-3275
- 3 GOLD PLATING
- 4 NICKEL PLATING
- 5. ELECTRICAL CHARACTERISTICS  
 FREQUENCY RANGE: DC - 500 MHz  
 NOMINAL IMPEDANCE: NON-CONSTANT  
 INSULATION RESISTANCE: N/A  
 WORKING VOLTAGE: N/A  
 DIELECTRIC WITHSTAND VOLTAGE: N/A  
 CONTACT RESISTANCE:  
 CENTRE CONTACT: N/A  
 OUTER CONTACT: N/A  
 VSWR @ 3GHz: 1.35:1  
 INSERTION LOSS dB @ x 1.5 GHz: N/A
- 6. MECHANICAL CHARACTERISTICS  
 COUPLING NUT PROOF TORQUE: 3.4 Nm  
 CABLE RETENTION FORCE: N/A  
 DURABILITY: 50 Cycles Min
- 7. ENVIRONMENTAL CHARACTERISTICS  
 OPERATING TEMPERATURE: -55 to +85 DegC
- 8. FOR TECHNICAL DATA REFER TO YOUR LOCAL TYCO ELECTRONICS SALES OFFICE
- 9. ALL DIMENSIONS ARE NOMINAL FOR REFERENCE ONLY UNLESS OTHERWISE STATED



				1	1	BRASS	3	CONTACT	3
				1	1	PBT	2	INSULATOR	2
				1	1	ZINC ALLOY	1	BODY	1
				5--1	5--0	MATERIAL		DESCRIPTION	ITEM
					QUANTITY PER ASSY		PARTS LIST		

THIS DRAWING IS A CONTROLLED DOCUMENT.		DWN J.SANDWELL 02JAN07	Tyco Electronics Corporation Bideford, UK, EX39 4HE															
DIMENSIONS: mm		CHK S.PARLOW 02JAN07																
TOLERANCES UNLESS OTHERWISE SPECIFIED:		APVD F.WHEELER-KING 02JAN07	NAME UHF BHSKT RM NICKEL PLTED															
<table border="1"> <tr><td>0 PLC</td><td>± -</td></tr> <tr><td>1 PLC</td><td>± -</td></tr> <tr><td>2 PLC</td><td>± -</td></tr> <tr><td>3 PLC</td><td>± -</td></tr> <tr><td>4 PLC</td><td>± -</td></tr> <tr><td>ANGLES</td><td>± -</td></tr> <tr><td>FINISH</td><td>-</td></tr> </table>		0 PLC	± -	1 PLC	± -	2 PLC	± -	3 PLC	± -	4 PLC	± -	ANGLES	± -	FINISH	-	PRODUCT SPEC -	SIZE A3	
0 PLC	± -																	
1 PLC	± -																	
2 PLC	± -																	
3 PLC	± -																	
4 PLC	± -																	
ANGLES	± -																	
FINISH	-																	
MATERIAL SEE TABLE		APPLICATION SPEC -	CAGE CODE 00779	DRAWING NO C-1814815														
		WEIGHT -	RESTRICTED TO -															
CUSTOMER DRAWING			SCALE NTS	SHEET 1 OF 1														
			REV A															